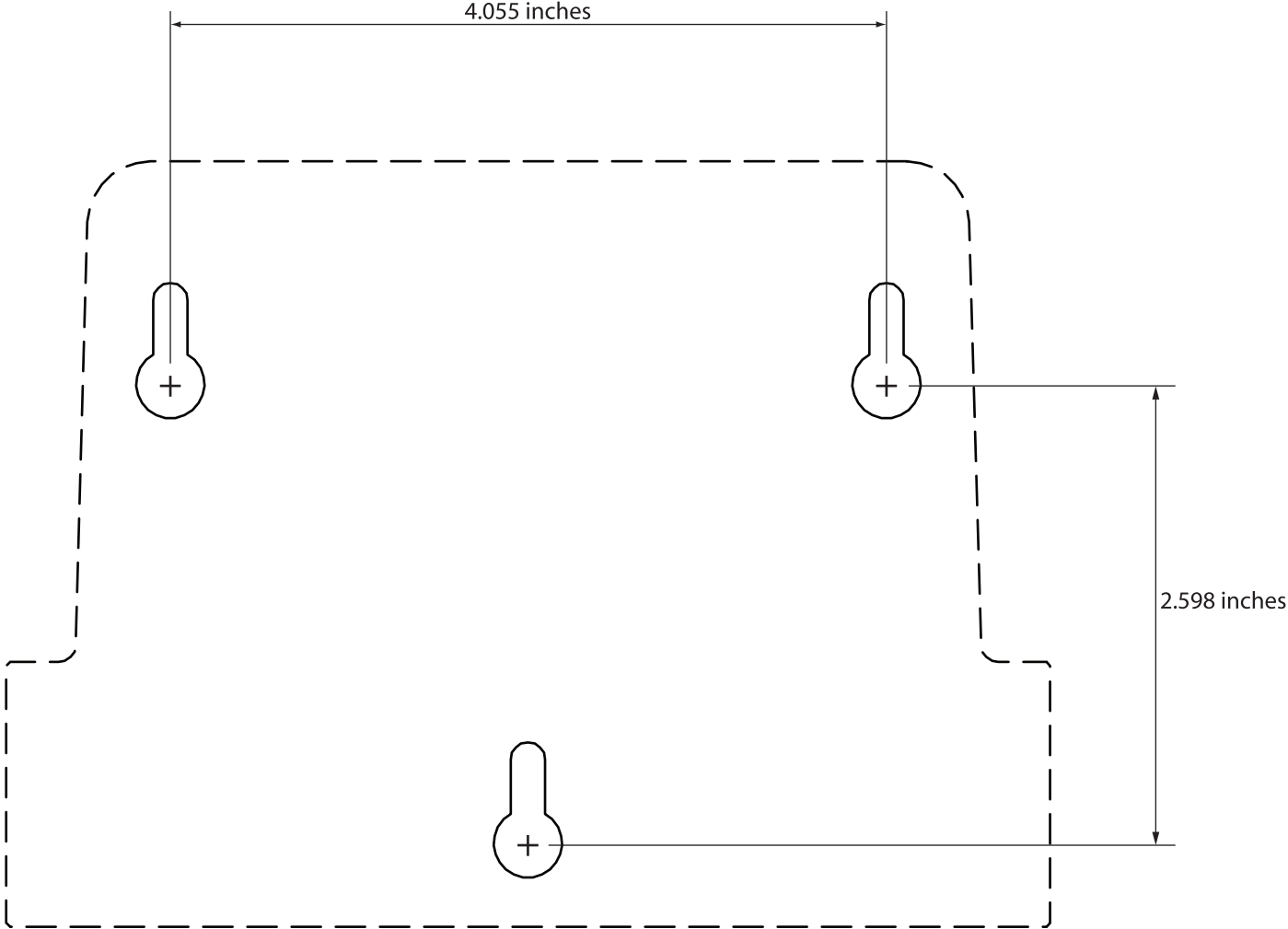


WxB6x00Q Modem Wall Mounting Template

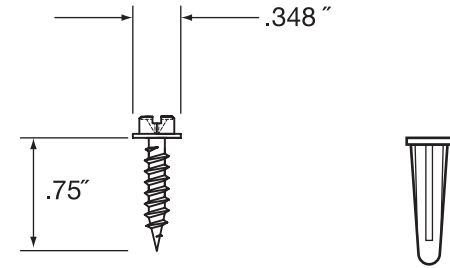
PN 0535-0020-000

MT1238/1014



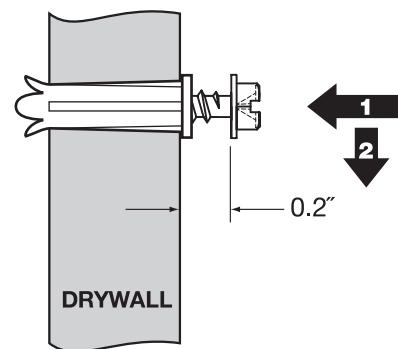
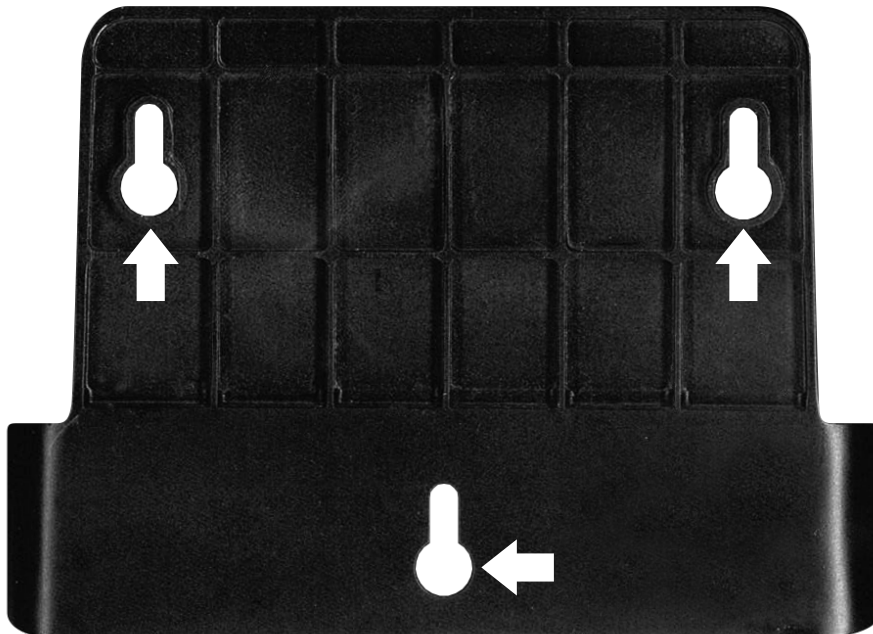
1. Place the template on the wall in the position the bracket will be mounted.
 2. Mark the mounting holes. If mounting on wood, drill holes for the screws. If mounting on drywall, drill holes to accept drywall anchors. A 3/16" drill bit is recommended for plastic anchors.
 3. Leave screws extended about 0.2 inches from the wall.
 4. Locate the bracket keyhole openings over the screw heads and push down lightly on the bracket to lock it onto the screws.
 5. Line up the base of the unit with the triangular guides on the bracket, then slide the unit to the left. It will click into place.
- To remove the unit, pull down on the tab on the bottom of the bracket and slide the unit to the right.

Fasteners



(3) #8 Slotted/Phillip Hex Washer Screws

(3) Plastic Screw Anchors



Illustrations Not to Scale

